



tile system / ceiling panels



DPS LAKO

# DPS Lako Ceiling Tiles

This DPS product is the perfect way to refresh your current modular ceiling. Unlike traditional tiles, the DPS Lako tiles are available in a wide range of colours and textures to choose from. They can also be illuminated and customised with any graphics or photos.



## COLOURS AND TEXTURES

The DPS Lako tiles are available in over 100 colours and several different textures: glossy, satin, matt and metallic.



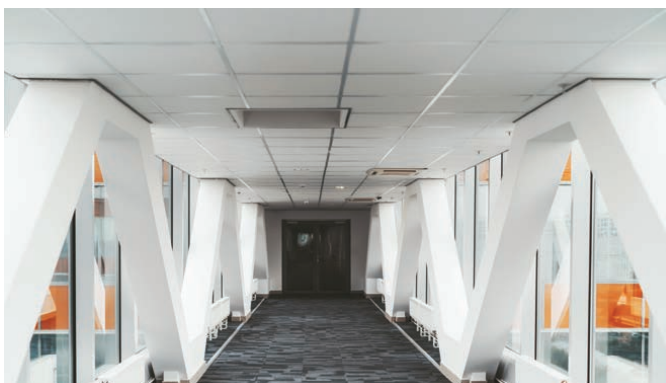
## OVERPRINT AND ILLUMINATION

When combined with dedicated lighting, semi-transparent DPS Lako modules can act as a light source. In addition, we are able to decorate them with any photo or graphics, creating a unique image.



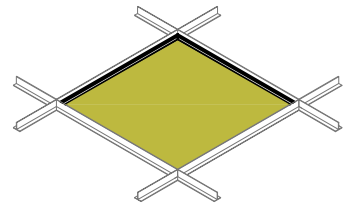
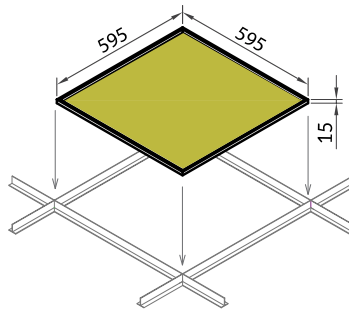
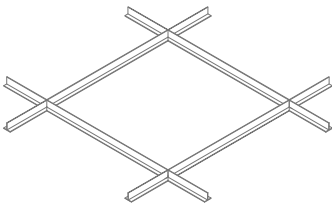
## FUNCTIONALITY

The DPS Lako tiles are thin (15 mm) and ultra-light (0.65kg/m<sup>2</sup>) with an easy-to-clean PVC foil finish.



## ENHANCED ANTIMICROBIAL PROTECTION

Tiles from the DPS Biopruf® series feature a specialised antimicrobial additive that protects against harmful microbes: fungi, bacteria and moulds.



### ONE-SIZE-FITS-ALL DIMENSIONS

The standard dimensions of our tiles (60 x 60 cm) fit the most commonly used modular systems. If required, we can tailor-make them in a different size.



### ACOUSTIC SOLUTIONS

Microperforated materials help to absorb reverberation at a wide range of frequencies and significantly improve the acoustic parameters of your room.



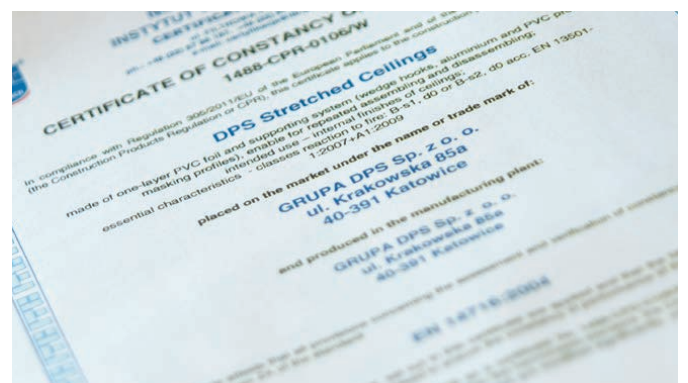
### RESISTANCE TO MOISTURE

The DPS Lako tiles boast a very low water vapour transmission rate. This makes them the perfect solution for rooms with high humidity (e.g. swimming pools).



### CERTIFICATIONS AND STANDARDS

Our modules are produced from the highest-quality PVC foil and thin aluminium profiles. This product is CE-compliant and approved for fire resistance class B-s1, d0 and B-s2, d0.



STAY UP TO DATE!

DOWNLOAD THE CURRENT



PDF CATALOGUE

tile system  
ceiling  
panels

GRUPA DPS sp. z o.o.  
ul. Krakowska 85A  
40-391 Katowice, Poland

phone:  
+48 32 204 96 80

e-mail:  
info@grupadps.com

[www.dpsceilings.com](http://www.dpsceilings.com)