



lighting solutions

light panels

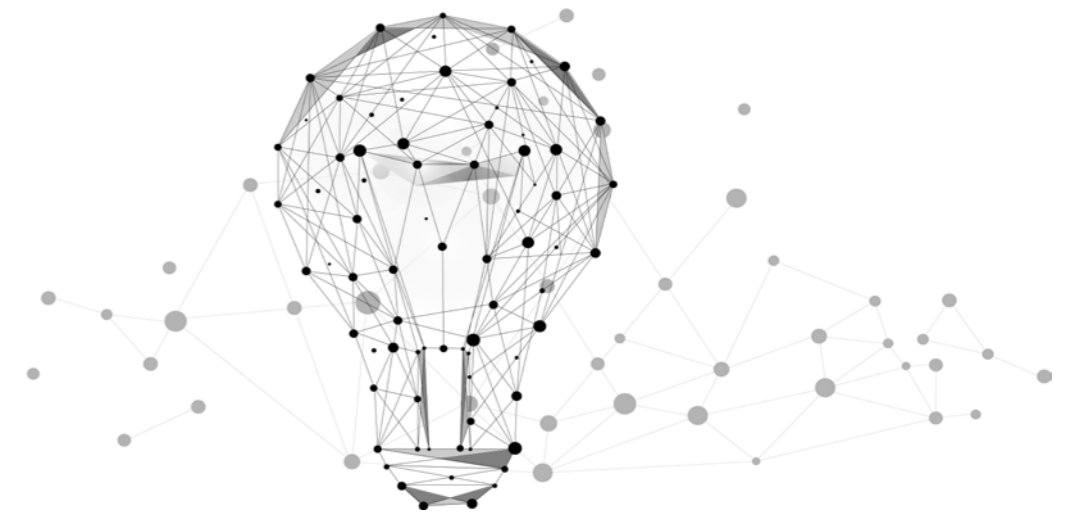


DPS light

TABLE OF CONTENTS

introduction	5
COLLAR light panel	6
MOON light panel	8
SIMPLE light panel	10
DOUBLE light panel	12
LUME light panel	14
VASTER light panel	16
RING light panel	18
UFO light panel	20
decorative veneer samples	22
powder coating samples	23
selected projects	24

A NEW FORM OF LIGHT



We create lighting tailored to your needs. We wish to offer our customers the opportunity to choose and create their own form of light. We want the product they receive to suit their design as best as possible. If this is what you are looking for, our solutions are meant for you.

Today, we present to you the results of our work in recent months. The catalogue presents a vast array of custom-made light panels, including their basic technical parameters and available customisation options.

In addition to standard solutions, we have included photos of our panels in private, commercial and public interiors. The majority of photos showcase non-standard models that came to be through dialogue with the customer and co-operative work on the project. Let them serve you as a source of inspiration and help in creating your own unique space.

We hope that among our suggestions you will find one that meets all your expectations. And if not, then... that's even better! Nothing inspires greater enthusiasm in us than another challenge and a chance to create something new. Do you have an idea for your own form of light? We will be happy to make it happen for you!

Welcome to the world of DPS!

COLLAR

utility / decorative indoor lighting

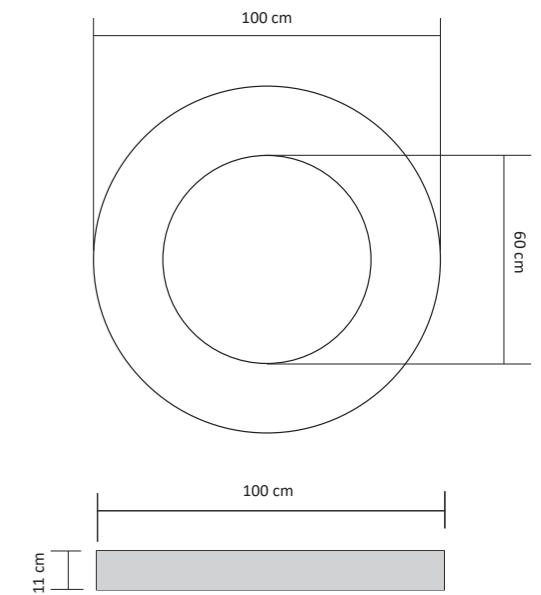


The COLLAR is a panel with an original shape, intended for use in private, commercial and public buildings.

The evenly spaced LEDs and semi-transparent thermoelastic membrane surface ensure perfectly homogeneous light propagation.

The panel offers a universal mounting system with a wide range of sizes and a large selection of colours and housing frames.

The combination of functionality and attractive design makes the COLLAR fit right into the trends of modern interior design.



STANDARD VERSION

LUMINAIRE TYPE: suspended

TYPE OF LIGHTING: utility

HOUSING: lacquered aluminium (RAL palette)

DIFFUSER: thermoelastic membrane

LIGHT SOURCE: LED (white)

POWER SUPPLY: power supply mounted within the housing*, on the housing or remotely

INSTALLATION METHOD: height-adjustable wire slings (4 x 150 cm), ceiling cover plate

TECHNICAL DETAILS	COLOUR TEMPERATURE	LUMINOUS FLUX	RATED VOLTAGE	POWER PER PANEL	WEIGHT PER PANEL	PACKAGE DIMENSIONS
DIAMETER 100 CM	3000 K	2200 lm	220-240 V	70 W	11 kg	120x100x17 cm
	4000 K	3900 lm	220-240 V	78 W	11 kg	120x120x17 cm
	6000 K	2200 lm	220-240 V	70 W	11 kg	120x120x17 cm

ADDITIONAL OPTIONS

TYPE OF LIGHTING: utility or decorative

DIMENSIONS: range of production capabilities Ø 100 cm - 200 cm; possible size over Ø 200 cm**

INSTALLATION METHOD: custom length of the wire slings for mounting or directly to the ceiling**

LIGHT SOURCE: LED CCT, RGB, RGBW or LED white with dimmer

LUMINOUS FLUX: higher or lower light luminous flux possible

CONTROL: ON/OFF by remote control or wall panel included in the kit.

Possibility to control the lighting with Dali, DMX, KMX systems, etc.

DIFFUSER: printing on the membrane

HOUSING: decorative veneer

All additional options are priced individually.

* If the panel configuration will allow it.

** To be confirmed. Delivery of panel in parts to be assembled by an authorised DPS installer.



COLLAR LIGHT PANEL WITH A DIAMETER OF 100 CM

DESIGN SUGGESTION

3D PANEL MODELS FOR DOWNLOAD:
dpsceilings.com/download/3d/collar.zip





MOON

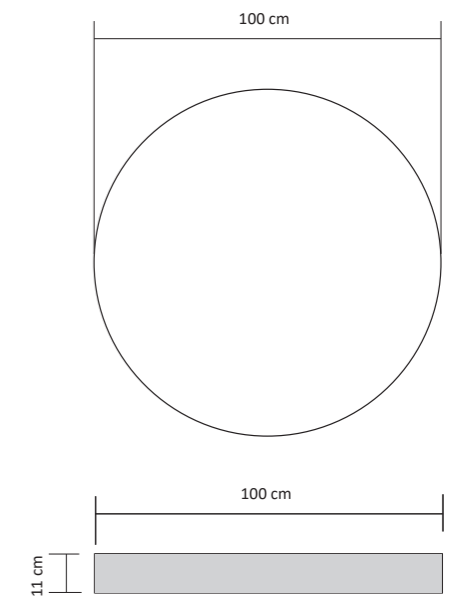
utility / decorative indoor lighting

The MOON light panel is characterised by a universal format and high-power light emission.

When ordering this model, you are free to choose the colour and texture of the housing yourself to best fit your interior design.

The MOON panel features an adjustable mounting system, making it possible to install the panel at any height.

This model is recommended for all types of interiors, regardless of their purpose or size. With a black housing, this panel is a perfect fit for an industrial interior.



STANDARD VERSION

- LUMINAIRE TYPE:** suspended
- TYPE OF LIGHTING:** utility
- HOUSING:** lacquered aluminium (RAL palette)
- DIFFUSER:** thermoelastic membrane
- LIGHT SOURCE:** LED (white)
- POWER SUPPLY:** power supply mounted within the housing*, on the housing or remotely
- INSTALLATION METHOD:** height-adjustable wire slings (4 x 150 cm), ceiling cover plate

TECHNICAL DETAILS	COLOUR TEMPERATURE	LUMINOUS FLUX	RATED VOLTAGE	POWER PER PANEL	WEIGHT PER PANEL	PACKAGE DIMENSIONS
DIAMETER 100 CM	3000 K	3876 lm	220-240 V	91 W	11 kg	120x120x17 cm
	4000 K	5655 lm	220-240 V	116W	11 kg	120x120x17 cm
	6000 K	4332 lm	220-240 V	91W	11 kg	120x120x17 cm

ADDITIONAL OPTIONS

- TYPE OF LIGHTING:** utility or decorative
- DIMENSIONS:** range of production capabilities Ø 100 cm - 200 cm; possible size over Ø 200 cm**
- INSTALLATION METHOD:** custom length of the wire slings for mounting or directly to the ceiling**
- LIGHT SOURCE:** LED CCT, RGB, RGBW or LED white with dimmer
- LUMINOUS FLUX:** higher or lower light luminous flux possible
- CONTROL:** ON/OFF by remote control or wall panel included in the kit.
Possibility to control the lighting with Dali, DMX, KMX systems, etc.
- DIFFUSER:** printing on the membrane
- HOUSING:** decorative veneer
- SHAPE:** oval, irregular**

All additional options are priced individually.

* If the panel configuration will allow it.
** To be confirmed. Delivery of panel in parts to be assembled by an authorised DPS installer.

MOON LIGHT PANEL WITH A DIAMETER OF 80 CM

DESIGN SUGGESTION

3D PANEL MODELS FOR DOWNLOAD:
dpsceilings.com/download/3d/moon.zip



SIMPLE

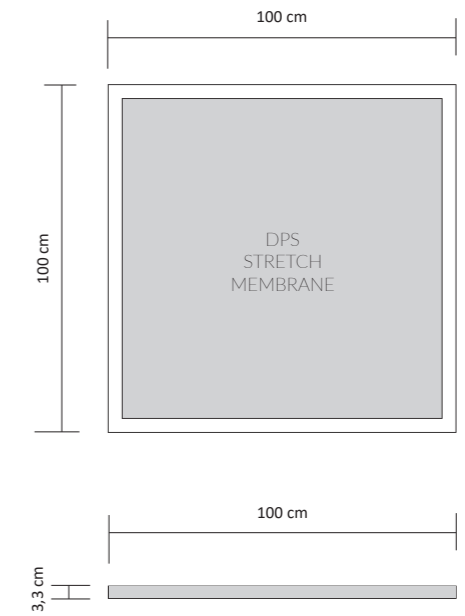
decorative indoor lighting

The SIMPLE light panel is a solution for those who appreciate elegance combined with a straightforward, minimalist form.

The panel consists of a led profile and a thermoelastic surface with several textural varieties and dozens of colours to choose from. This is a completely unique option that allows you to match the light source to other elements of the interior.

The SIMPLE panel offers adaptive and universal fastening systems and a wide range of sizes.

It is a perfect solution for those seeking to illuminate a table, counter or kitchen island. It is also a viable option for users in search of intimate lighting for their interior.



STANDARD VERSION

LUMINAIRE TYPE: suspended

TYPE OF LIGHTING: decorative

HOUSING: lacquered aluminium (RAL palette)

MEMBRANE COLOR AND STRUCTURE: available to choose from the color card (dpsceilings.com/marketing/DPS_samplebook.pdf)

DIFFUSER: light profile

LIGHT SOURCE: LED (white)

POWER SUPPLY: power supply mounted within the housing*, on the housing or remotely

INSTALLATION METHOD: height-adjustable wire slings (4 x 150 cm), ceiling cover plate

TECHNICAL DETAILS	COLOUR TEMPERATURE	LUMINOUS FLUX	RATED VOLTAGE	POWER PER PANEL	WEIGHT PER PANEL	PACKAGE DIMENSIONS
	3000 K	1680 lm	220-240 V	40 W	13 kg	120x120x10 cm
DIMENSIONS 100 x 100 cm	4000 K	1840 lm	220-240 V	40 W	13 kg	120x120x10 cm
	6000 K	2000 lm	220-240 V	40 W	13 kg	120x120x10 cm

ADDITIONAL OPTIONS

DIMENSIONS: range of production capabilities Ø 100 cm - 250 cm; possible size over Ø 250 cm**

INSTALLATION METHOD: custom length of the wire slings for mounting or directly to the ceiling**

LIGHT SOURCE: LED white with dimmer

CONTROL: ON/OFF by remote control or wall panel included in the kit.

Possibility to control the lighting with Dali, DMX, KMX systems, etc.

DIFFUSER: printing on the membrane

HOUSING: decorative veneer

SHAPE: square, rectangle

All additional options are priced individually.

* If the panel configuration will allow it.

** To be confirmed. Delivery of panel in parts to be assembled by an authorised DPS installer.

100 x 100 CM SIMPLE LIGHT PANEL

DESIGN SUGGESTION

3D PANEL MODELS FOR DOWNLOAD:
dpsceilings.com/download/3d/simple.zip



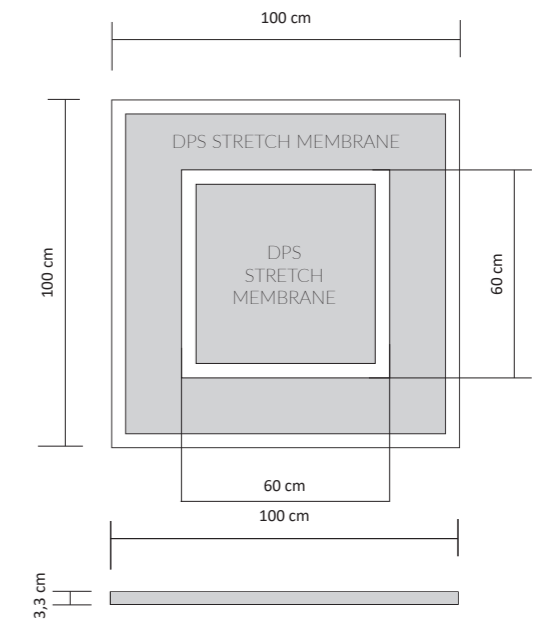
DOUBLE

decorative indoor lighting



140 x 140 CM DOUBLE LIGHT PANEL

DESIGN SUGGESTION



The DOUBLE is a panel that boasts an unusual look enriched by an additional light strip.

Depending on the colour and style of the interior, the user gets to choose the colour and texture of the surface, including matt, satin, shiny or metallic.

DOUBLE features a wide range of sizes and adaptive mounting systems facilitating multiple suspension options.

The simple, lightweight form of this model makes it an excellent source of light and decoration within any modern interior.

STANDARD VERSION

LUMINAIRE TYPE: suspended

TYPE OF LIGHTING: decorative

HOUSING: lacquered aluminium (RAL palette)

MEMBRANE COLOR AND STRUCTURE: available to choose from the color card (dpsceilings.com/marketing/DPS_samplebook.pdf)

DIFFUSER: light profile

LIGHT SOURCE: LED (white)

POWER SUPPLY: power supply mounted within the housing*, on the housing or remotely

INSTALLATION METHOD: height-adjustable wire slings (4 x 150 cm), ceiling cover plate

TECHNICAL DETAILS	COLOUR TEMPERATURE	LUMINOUS FLUX	RATED VOLTAGE	POWER PER PANEL	WEIGHT PER PANEL	PACKAGE DIMENSIONS
DIMENSIONS	3000 K	2688 lm	220-240 V	62 W	14 kg	120x120x10 cm
EXTERNAL: 100 x 100 cm	4000 K	2944 lm	220-240 V	62 W	14 kg	120x120x10 cm
INTERNAL: 60 X 60 cm	6000 K	3200 lm	220-240 V	62 W	14 kg	120x120x10 cm

ADDITIONAL OPTIONS

DIMENSIONS: range of production capabilities Ø 100 cm - 250 cm; possible size over Ø 250 cm**

INSTALLATION METHOD: custom length of the wire slings for mounting or directly to the ceiling**

LIGHT SOURCE: LED white with dimmer

CONTROL: ON/OFF by remote control or wall panel included in the kit.

Possibility to control the lighting with Dali, DMX, KMX systems, etc.

DIFFUSER: printing on the membrane

HOUSING: decorative veneer

SHAPE: square, rectangle

All additional options are priced individually.

* If the panel configuration will allow it.

** To be confirmed. Delivery of panel in parts to be assembled by an authorised DPS installer.

3D PANEL MODELS FOR DOWNLOAD:
dpsceilings.com/download/3d/double.zip





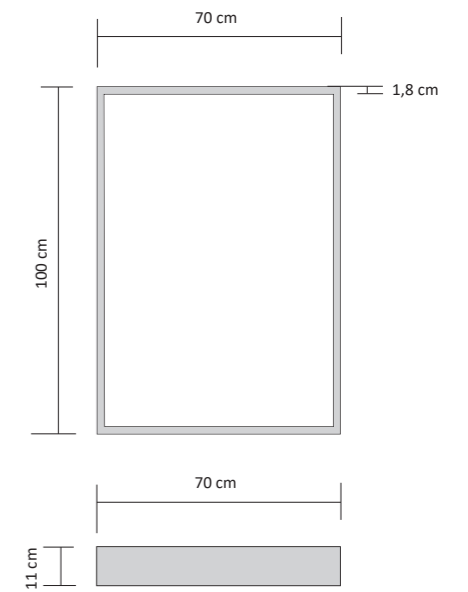
LUME

utility / decorative indoor lighting

LUME is a rectangular-shaped panel with a visible edge 18 mm wide. It is distinguished by the wide range of sizes available and the possibility of achieving a large, shadow-free light plane.

The LUME is equipped with adaptive and all-purpose mounting systems. One interesting option is to include a non-standard housing finish.

Depending on their size, the LUME light panels can be used in private interiors, commercial spaces or public utility buildings.



STANDARD VERSION

LUMINAIRE TYPE: suspended

TYPE OF LIGHTING: utility

HOUSING: lacquered aluminium (RAL palette)

DIFFUSER: thermoelastic membrane

LIGHT SOURCE: LED (white)

POWER SUPPLY: power supply mounted within the housing*, on the housing or remotely

INSTALLATION METHOD: height-adjustable wire slings (4 x 150 cm), ceiling cover plate

TECHNICAL DETAILS	COLOUR TEMPERATURE	LUMINOUS FLUX	RATED VOLTAGE	POWER PER PANEL	WEIGHT PER PANEL	PACKAGE DIMENSIONS
DIMENSIONS 100 x 70 cm	3000 K	3150 lm	220-240 V	74 W	13 kg	120x100x17 cm
	4000 K	3450 lm	220-240 V	74 W	13 kg	120x100x17 cm
	6000 K	3510 lm	220-240 V	74 W	13 kg	120x100x17 cm

ADDITIONAL OPTIONS

TYPE OF LIGHTING: utility or decorative

DIMENSIONS: range of production capabilities Ø 60 cm - 250 cm; possible size over Ø 250 cm**

INSTALLATION METHOD: custom length of the wire slings for mounting or directly to the ceiling**

LIGHT SOURCE: LED CCT, RGB, RGBW or LED white with dimmer

LUMINOUS FLUX: higher or lower light luminous flux possible

CONTROL: ON/OFF by remote control or wall panel included in the kit.

Possibility to control the lighting with Dali, DMX, KMX systems, etc.

DIFFUSER: printing on the membrane

HOUSING: decorative veneer

SHAPE: square, rectangle, other**

All additional options are priced individually.

* If the panel configuration will allow it.

** To be confirmed. Delivery of panel in parts to be assembled by an authorised DPS installer.

100 X 200 CM LUME LIGHT PANEL

DESIGN SUGGESTION

3D PANEL MODELS FOR DOWNLOAD:
dpsceilings.com/download/3d/lume.zip





70 X 130 CM VASTER LIGHT PANEL

DESIGN SUGGESTION

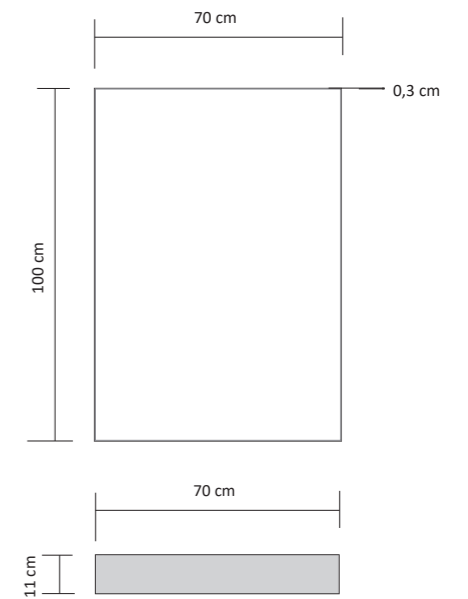
VASTER

utility / decorative indoor lighting

VASTER is a panel in the form of a rectangle or square. Its design means that one side can be several metres long, giving a very large luminous area.

Adaptive and universal fixing systems allow it to be installed at any height. As in the case of LUME panels, the user chooses the colour and structure of the casing himself from among hundreds of RAL colours and over a dozen special textures.

VASTER is the perfect choice for any room - from a private living or dining room to large public spaces.



STANDARD VERSION

LUMINAIRE TYPE: suspended

TYPE OF LIGHTING: utility

HOUSING: lacquered aluminium (RAL palette)

DIFFUSER: thermoelastic membrane

LIGHT SOURCE: LED (white)

POWER SUPPLY: power supply mounted within the housing*, on the housing or remotely

INSTALLATION METHOD: height-adjustable wire slings (4 x 150 cm), ceiling cover plate

TECHNICAL DETAILS	COLOUR TEMPERATURE	LUMINOUS FLUX	RATED VOLTAGE	POWER PER PANEL	WEIGHT PER PANEL	PACKAGE DIMENSIONS
DIMENSIONS 100 x 70 cm	3000 K	3150 lm	220-240 V	74 W	15 kg	120x100x17 cm
	4000 K	3450 lm	220-240 V	74 W	15 kg	120x100x17 cm
	6000 K	3510 lm	220-240 V	74 W	15 kg	120x100x17 cm

ADDITIONAL OPTIONS

TYPE OF LIGHTING: utility or decorative

DIMENSIONS: range of production capabilities Ø 60 cm - 250 cm; possible size over Ø 250 cm**

INSTALLATION METHOD: custom length of the wire slings for mounting or directly to the ceiling**

LIGHT SOURCE: LED CCT, RGB, RGBW or LED white with dimmer

LUMINOUS FLUX: higher or lower light luminous flux possible

CONTROL: ON/OFF by remote control or wall panel included in the kit.

Possibility to control the lighting with Dali, DMX, KMX systems, etc.

DIFFUSER: printing on the membrane

HOUSING: decorative veneer

SHAPE: square, rectangle, other**

All additional options are priced individually.

* If the panel configuration will allow it.

** To be confirmed. Delivery of panel in parts to be assembled by an authorised DPS installer.

3D PANEL MODELS FOR DOWNLOAD:
dpsceilings.com/download/3d/vaster.zip





RING LIGHT PANEL WITH A DIAMETER OF 100 CM

DESIGN SUGGESTION

RING

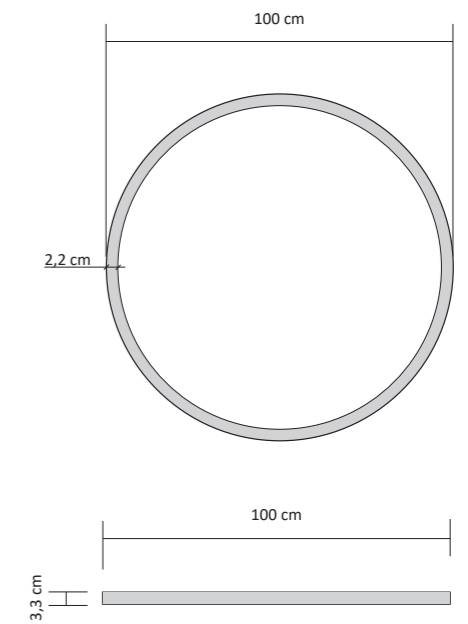
decorative indoor lighting

The RING is an ultra-thin panel that boasts a lightweight decorative form and a thickness of only 3.3 cm.

In this model, the LEDs are placed around the circumference resulting in a distinctive 'Halo' lighting effect.

Not unlike other panels in our range, the RING has adaptive and universal mounting systems that enable the installation of the panel at any height.

By choosing this model, you obtain a light source that is interesting both in terms of form and light effect.



STANDARD VERSION

- LUMINAIRE TYPE:** suspended
- TYPE OF LIGHTING:** decorative
- HOUSING:** matt white
- DIFFUSER:** thermoelastic membrane
- LIGHT SOURCE:** LED (white)
- POWER SUPPLY:** external power supply mounted in the ceiling cover plate or remotely
- INSTALLATION METHOD:** height-adjustable wire slings (4 x 150 cm), ceiling cover plate

TECHNICAL DETAILS	COLOUR TEMPERATURE	LUMINOUS FLUX	RATED VOLTAGE	POWER PER PANEL	WEIGHT PER PANEL	PACKAGE DIMENSIONS
DIAMETER 100 CM	3000 K	1300 lm	220-240 V	31 W	9 kg	120x120x10 cm
	4000 K	1410 lm	220-240 V	31 W	9 kg	120x120x10 cm
	6000 K	1450 lm	220-240 V	31 W	9 kg	120x120x10 cm

ADDITIONAL OPTIONS

- DIMENSIONS:** range of production capabilities Ø 50 cm - 220 cm; possible size over Ø 220 cm*
- INSTALLATION METHOD:** custom length of the wire slings for mounting
- LIGHT SOURCE:** LED CCT, RGB, RGBW or LED white with dimmer
- LUMINOUS FLUX:** higher or lower light luminous flux possible
- CONTROL:** ON/OFF by remote control or wall panel included in the kit.
Possibility to control the lighting with Dali, DMX, KMX systems, etc.
- DIFFUSER:** printing on the membrane
- FORM:** oval, irregular**

All additional options are priced individually.

** To be confirmed. Delivery of panel in parts to be assembled by an authorised DPS installer.

3D PANEL MODELS FOR DOWNLOAD:
dpsceilings.com/download/3d/ring.zip





UFO

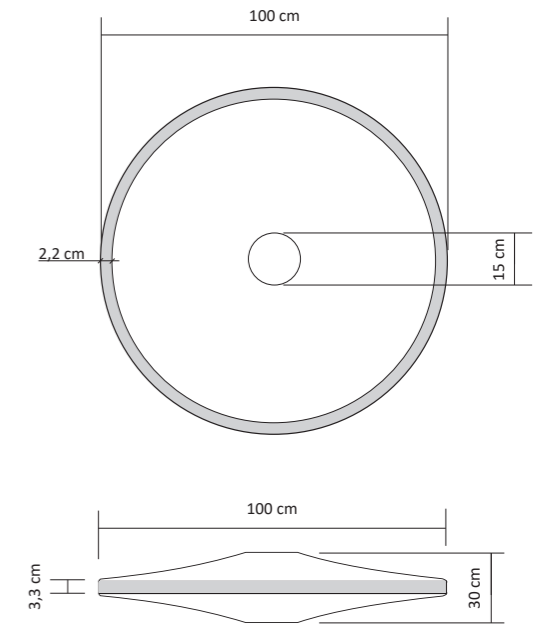
decorative indoor lighting

The UFO is a panel that is difficult to miss. Its unusual look combined with rich colour lighting effects undoubtedly make it stand out from the crowd.

The UFO features an original form with a coloured circle in the central part, the colour of which can be changed as desired using a remote control.

White light diodes are placed around the perimeter achieving a smooth graduated lighting effect from the outer edge to the centre of the light feature.

The UFO is recommended for private spaces or as a decorative light source in restaurants, hotel lobbies, and other commercial and public premises.



STANDARD VERSION

- LUMINAIRE TYPE:** suspended
- TYPE OF LIGHTING:** decorative
- HOUSING:** matt white
- DIFFUSER:** thermoelastic membrane
- LIGHT SOURCE:** LED (white + RGB)
- POWER SUPPLY:** external power supply mounted in the ceiling cover plate or remotely
- INSTALLATION METHOD:** height-adjustable wire slings (4 x 150 cm), ceiling cover plate

TECHNICAL DETAILS	COLOUR TEMPERATURE	LUMINOUS FLUX	RATED VOLTAGE	POWER PER PANEL	WEIGHT PER PANEL	PACKAGE DIMENSIONS
DIAMETER 100 CM	3000 K	2466 lm	220-240 V	78 W	14 kg	120x120x50 cm
	4000 K	2701 lm	220-240 V	78 W	14 kg	120x120x50 cm
	6000 K	2936 lm	220-240 V	78 W	14 kg	120x120x50 cm

ADDITIONAL OPTIONS

- DIMENSIONS:** range of production capabilities Ø 50 cm - 220 cm; possible size over Ø 220 cm*
- INSTALLATION METHOD:** custom length of the wire slings for mounting
- LIGHT SOURCE:** LED CCT, RGB, RGBW or LED white with dimmer
- LUMINOUS FLUX:** higher or lower light luminous flux possible
- CONTROL:** ON/OFF by remote control or wall panel included in the kit.
Possibility to control the lighting with Dali, DMX, KMX systems, etc.

All additional options are priced individually.

* To be confirmed. Delivery of panel in parts to be assembled by an authorised DPS installer.

UFO LIGHT PANEL WITH A DIAMETER OF 100 CM

DESIGN SUGGESTION

3D PANEL MODELS FOR DOWNLOAD:
dpsceilings.com/download/3d/ufo.zip

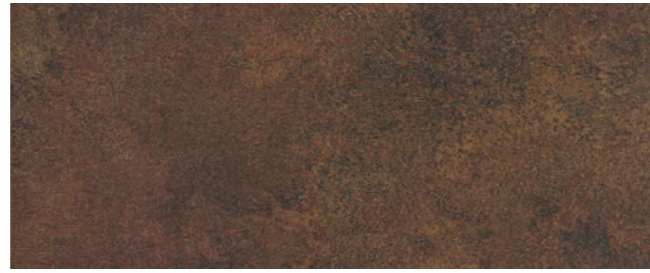


DECORATIVE VENEERS

These high-quality coatings can be applied to all metal surfaces of our light panels.
The samples presented below perfectly reflect the colour and structure of metal, leather, concrete and wood.



O1 OLD GOLD



O2 OLD COPPER



O3 LIGHT CONCRETE



O4 DARK CONCRETE



O5 BRUSHED ALUMINUM



O6 BRUSHED GOLD



O7 GOLDEN OAK



O8 CREAM OAK



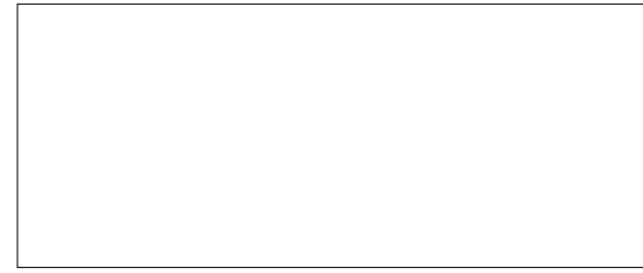
O9 ZEBRANO



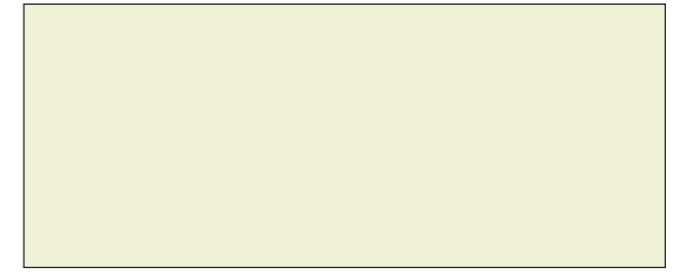
O10 WALNUT

POWDER COATINGS

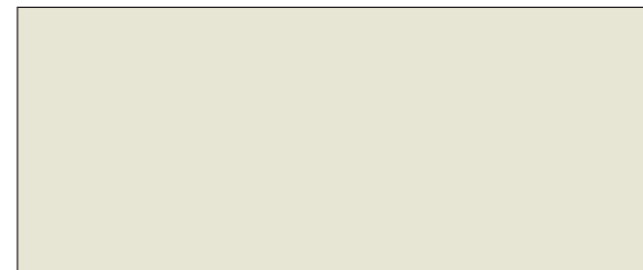
This service is dedicated to SIMPLE, DOUBLE, LUME-R, LUME-Q, COLLAR and MOON light panels.
The colours are available in matt and glossy versions within the full range of RAL colours.



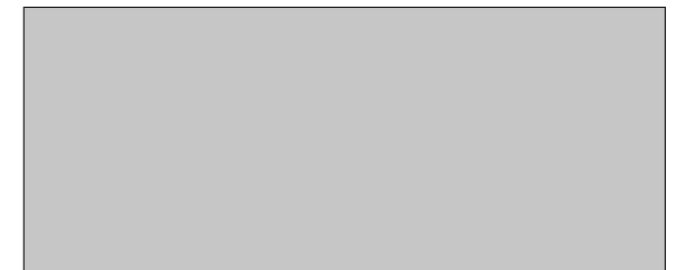
RAL 9003



RAL 9001



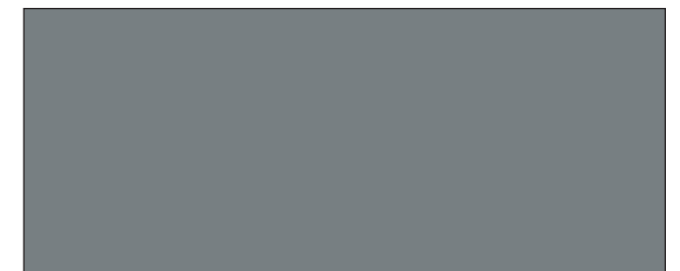
RAL 9002



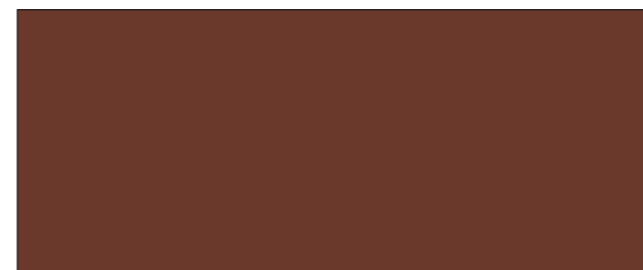
RAL 7047



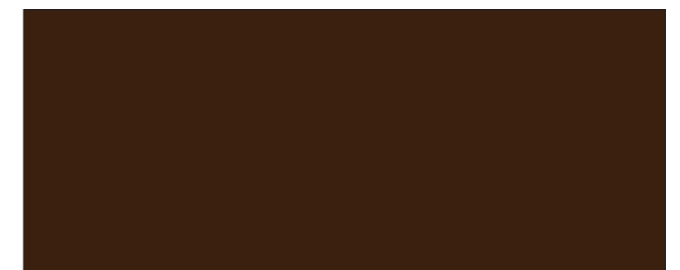
RAL 8003



RAL 7037



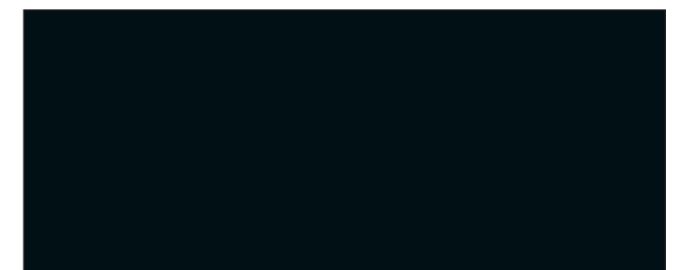
RAL 8002



RAL 8014



RAL 7016



RAL 9005



DPS PRODUCT

custom panel:
MOON

light source:
LED

diffuser:
thermoelastic membrane

installation:
steel wire slings

CUSTOM ELEMENTS

dimensions:
60 - 120 cm diameter

housing:
RAL palette-based powder coating

diffuser:
backlight print

CUSTOM DESIGN

AVIVA POLSKA OFFICES
company canteen
WARSAW, POLAND

technical solutions and installation:
DEKO-DPS

designed by:
DEKO-DPS



DPS PRODUCT

custom panel:
based on DPS Wall2Wall system profiles

light source:
LED

diffuser:
thermoelastic membrane

installation:
ALU frame

CUSTOM ELEMENTS

dimensions:
various panel sizes according to the project

housing:
RAL palette-based powder coating

power supply:
DALI power supply located remotely

WEMBLEY STADIUM athletes' changing rooms LONDON, UNITED KINGDOM

technical solutions and installation:
Priory Design Solutions /
Cooledge Lighting

designed by:
Wilson Owens Owens



DPS PRODUCT

custom panel:
RING

diffuser:
thermoelastic membrane

installation:
steel wire slings, ceiling cover plate

CUSTOM ELEMENTS

dimensions:
90 - 120 cm diameter

light source:
LED RGB

power supply:
switched power supply in the ceiling cover plate,
remote control via remote accessory

PLANET RICH
Village Roma room
ROME, ITALY

technical solutions and installation:
Tensocielo

designed by:
Lottomatica

CUSTOM DESIGN



DPS PRODUCT

custom panel:
LUME

light source:
LED

diffuser:
thermoelastic membrane

installation:
M8 threaded rods

CUSTOM ELEMENTS

dimensions:
panels of various sizes

housing:
panels combined with air conditioning systems

power supply:
switched power supplies in the housings

MANGGHA MUSEUM exhibition room CRACOW, POLAND

technical solutions and installation:
Litwiniak s.c.

designed by:
Litwiniak s.c.



DPS PRODUCT

custom panel:
based on DPS Wall2Wall system profiles

light source:
LED

diffuser:
thermoelastic membrane

installation:
height-adjustable steel wire slings

CUSTOM ELEMENTS

dimensions:
various sizes of triangular panels

housing:
RAL palette-based powder coating

power supply:
switched power supply located remotely

CUSTOM DESIGN

UPPER SILESIAN PANTHEON exhibition space

KATOWICE, POLEN

technical solutions and installation:
Grupa DPS sp. z o.o.

designed by:
ADVENTURE Multimedialne Muzea

Verba docent exempla trahunt - mawiali starzytni - słowa uczą,
przykłady pociągają. Nie ma lepszego wzorca do naśladowania
niż życiorys szlachetnego człowieka. Z nim mamy się porównywać
i z jego doświadczeń korzystać. Pantheon Górnośląski zawiera
bardzo wiele takich biografii. Pokazuje, w jaki sposób mieszkańcy
tej ziemi wyznaczyli sobie życiowe cele, jak pokonywali
szczytności i gdzie szukali wsparcia, gdy problemy zdawały się

...jako przykład...



DPS PRODUCT

custom panel:
DOUBLE

light source:
LED

diffuser:
light profile

installation:
steel wire slings

CUSTOM ELEMENTS

dimensions:
120 x 120 cm

housing:
RAL palette-based powder coating,
black glossy coating

power supply:
switched power supply on the housing,
remote control, dimmer

CUSTOM DESIGN

LOVE SAINTS
fashion showroom
KATOWICE, POLAND

technical solutions and installation:
Grupa DPS sp. z o.o.

designed by:
Grupa DPS sp. z o.o.



DPS PRODUCT

custom panel:
LUME

light source:
LED

diffuser:
thermoelastic membrane

installation:
steel wire slings

CUSTOM ELEMENTS

dimensions:
260 x 260 cm

housing:
RAL palette-based powder coating

diffuser:
backlight print

installation:
switched power supply on the housing

CUSTOM DESIGN

UNICUS PALACE HOTEL
restaurant room
KRAKÓW POLAND

technical solutions and installation:
Grupa DPS sp. z o.o.

designed by:
Grupa DPS sp. z o.o.



DPS PRODUCT

custom panel:
MOON

light source:
LED

diffuser:
thermoelastic membrane

installation:
M8 threaded rods

CUSTOM ELEMENTS

dimensions:
200 cm diameter, 16 cm height

housing:
special veneer

power supply:
switched power supply on the housing,
remote control via remote accessory

CUSTOM DESIGN

BROWAR PRZYSTAŃ
restaurant room
CHORZÓW, POLAND

technical solutions and installation:
Grupa DPS sp. z o.o.

designed by:
Grupa DPS sp. z o.o.



DPS PRODUCT

custom panel:
LUME

light source:
LED

diffuser:
thermoelastic membrane

installation:
M8 threaded rods

CUSTOM ELEMENTS

dimensions:
200 x 500 cm

housing:
RAL palette-based powder coating

power supply:
switched power supply on the housing

CUSTOM DESIGN

BRACIA PIETRZAK
vehicle handover point
GLIWICE, POLAND

technical solutions and installation:
Grupa DPS sp. z o.o.

designed by:
Grupa DPS sp. z o.o.



DPS PRODUCT

custom panel:
MOON

diffuser:
thermoelastic membrane

installation:
height-adjustable steel wire slings

CUSTOM ELEMENTS

dimensions:
120 cm diameter

light source:
LED, decorative lampshades

housing:
gold decorative paint - manually applied

power supply:
Dali system

CUSTOM DESIGN

PRIVATE APARTMENT kitchen

CRACOW, POLAND

technical solutions and installation:
ATK Sufity Napinane

designed by:
Dorota Maj



DPS PRODUCT

custom panel:
LUME

light source:
LED

diffuser:
thermoelastic membrane

installation:
support structure

CUSTOM ELEMENTS

dimensions:
350 x 420 cm

housing:
gold decorative paint - manually applied

power supply:
Dali system

CUSTOM DESIGN

PRIVATE APARTMENT
living room
CRACOW, POLAND

technical solutions and installation:
ATK Sufity Napinane

designed by:
Dorota Maj

The parameters and photographs of products included in this catalogue constitute commercial information only and do not constitute an offer under applicable law. Certain parameters of products delivered may differ from the product parameters specified in this catalogue.

The appearance of the products, veneers and powder coatings may slightly differ from the photographs and drawings presented in this catalogue. Grupa DPS sp. z o.o. reserves the right to withdraw products, add products to this catalogue, or change the parameters of products.

All light panels are granted a 24-month manufacturer's warranty.

Issue date: 08/2023

Current catalogue available in digital version:
dpsceilings.com/marketing/DPS_Light_EN.pdf

STAY UP TO DATE!

DOWNLOAD THE CURRENT



PDF CATALOGUE

lighting solutions  light
panels

GRUPA DPS sp. z o.o.
ul. Krakowska 85A
40-391 Katowice, Poland

+48 32 204 96 80
+48 32 209 98 23

info@grupadps.com

www.dpsceilings.com